

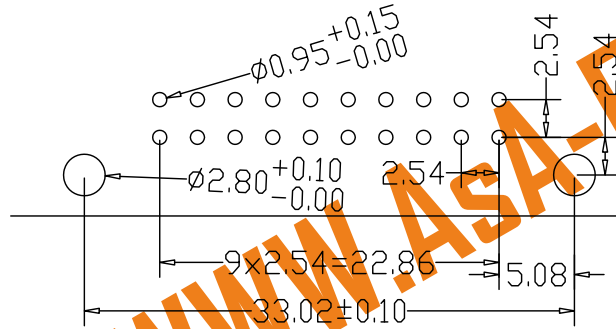
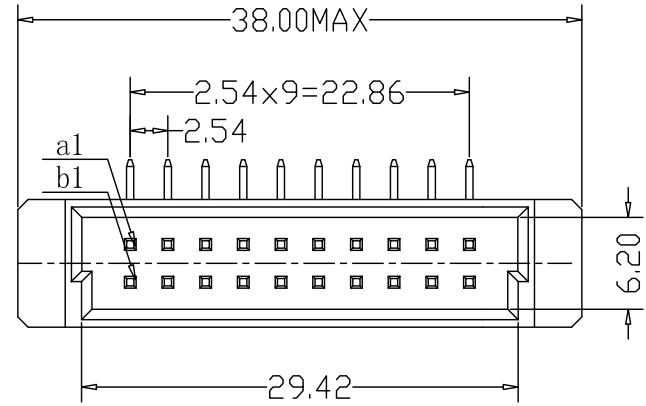
# DIN 41612 Right Angle Plug Type 1/3B Connectors 20 Positions

**ROHS COMPLIANT**

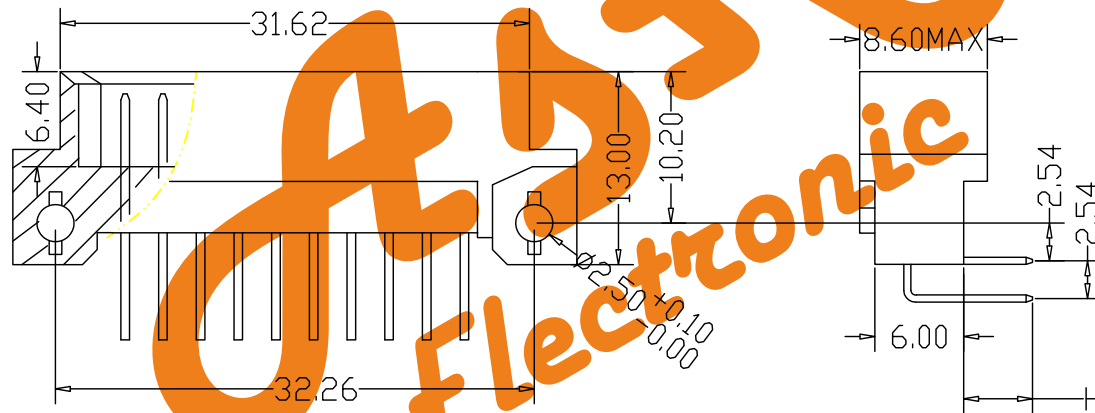
**SPECIFICATION**  
 Current Rating: 2.0Amp  
 Insulation Resistance: 100000MΩ min. at DC 100V  
 Contact Resistance: 20MΩ max  
 Withstand Voltage: AC 1000V For 1 Minute  
 Operating Temperature: -55° C to +105° C  
 Contact Material: Brass  
 Contact Plating: Au or Sn Over Ni  
 Insulator Material: PBT+30%GF UL 94V-0  
 Insertion Force: 20 pin max. 18N  
 Withdrawal Force: 0.15N min. per individual contact

Ordering Code:  
 DMR - XX - X - X - X -213  
 ① ② ③ ④ ⑤

- ① Series No:
- ② No. of Contacts  
20p 10p
- ③ Termination  
B: Right tail length H=3.0mm  
F: Right tail length H=4.4mm  
M: Right tail length H=13.0mm
- ④ Rows Loaded With Contacts  
A: Row a C: Row a+b  
C1: Row a+b(2,4,6...)
- ⑤ Contact Plating  
G0: Gold flash  
S0: Gold flash/Ni  
G1: 3u" Gold  
S1: 3u" Gold/Ni  
G2: 5u" Gold  
S2: 5u" Gold/Ni  
G3: 10u" Gold  
S3: 10u" Gold/Ni  
G4: 15u" Gold  
S4: 15u" Gold/Ni  
G5: 30u" Gold  
S5: 30u" Gold/Ni  
SN: Tin



**Recommended P.C.B. Layout**



Unless Otherwise specified tolerance  
 X±0.35  
 X.X±0.25  
 X.XX±0.20  
 X.XXX±0.15

**AsA Electronic** WWW.AsA-Elec.com  
**AsA Electronic Co.**  
 Tel : (+98) 21 66 73 56 82 Mob : (+98) 912 03 161 02

SCALE: As Shown UNIT: mm

DRAWN: jnufon  
 CHECKED: Yan  
 APPROVED

TITLE:  
 Right Angle Plug Type 1/3B Connectors 20 Positions  
 DRAWING NO: DMR-XX-XXX-213  
 PRODUCT NO: DMR-XX-XXX-213

REV	Add option of plating	10/8/1
	DESCRIPTION	DATE